

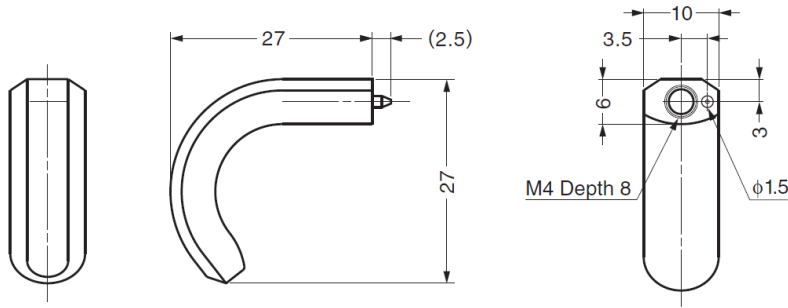
## ZL-1905 *Zwei L* Stainless Steel Knob

### Features

- Superior "Zwei L Finish" - *Zwei L* represents the very pinnacle of ultra-premium Japanese hardware design. The contrasting bands of mirror finish and lustrous satin on a faceted profile give a jewel like finish that highlights and enhances any industrial design

### Parts Included

- M4x25 truss head screw (SUS)



Part No.	Material	Finish
ZL-1905	Stainless Steel 316	Zwei L Finish

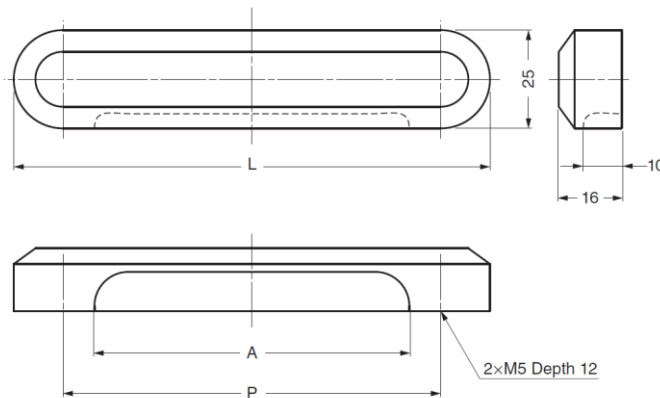
## ZL-2503 *Zwei L* Stainless Steel Knob

### Features

- Superior "Zwei L Finish" - *Zwei L* represents the very pinnacle of ultra-premium Japanese hardware design. The contrasting bands of mirror finish and lustrous satin on a faceted profile give a jewel like finish that highlights and enhances any industrial design

### Parts Included

- Screw M5x28 (SUS)



Part No.	Material	Finish	L	P	A
ZL-2503-96	Stainless Steel 316	Zwei L Finish	121	96	84
ZL-2503-160			185	160	148